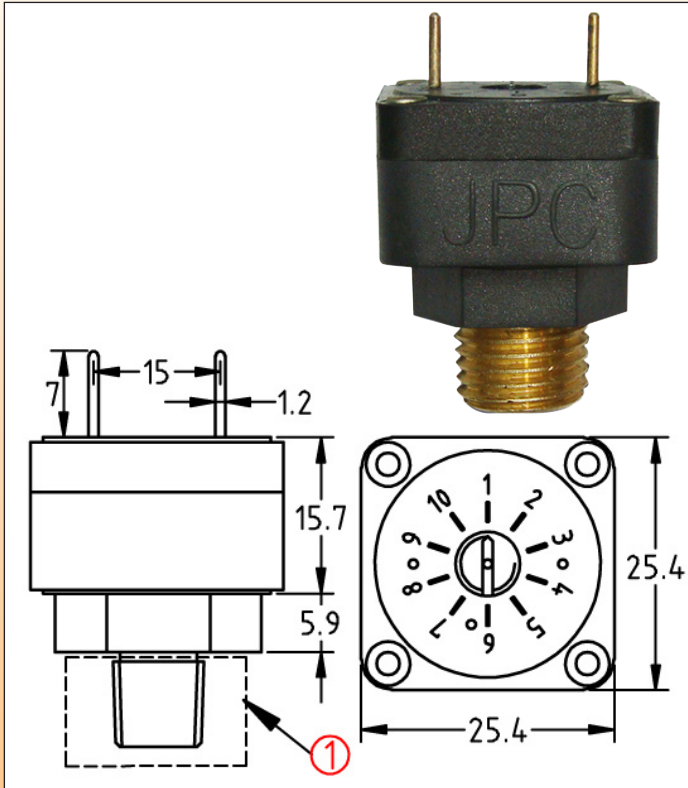


Slow action contact miniature vacuum switches for printed circuit boards with 5 mm pitch, metal fitting

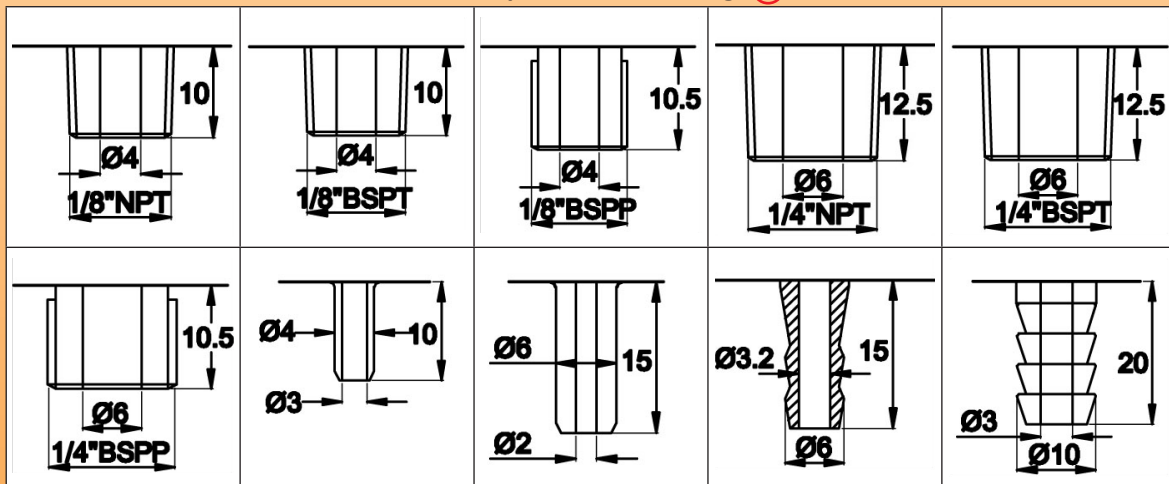
SPNO contact : ZF

DIMENSIONS



Uses: Low voltage, high sensitivity
Main applications: Electronic printed circuit. This vacuum switch is more sensible than snap action models and can be calibrated at lower pressure values. Very small differential.
Membranes: EPDM, dia 22 mm. Silicone or NBR on request
Fluid: air or water
Fitting: brass (stainless steel on request)
Pressure: negative (Vacuum)
Housing: PA66, UL94 VO
Contact: single pole normally open at atmospheric pressure, slow make.
Electrical rating:
 - Silver contact: max 1A 250V
 - Gold plated contact: max 100 mA, 24V
Action: momentary, close on vacuum increase (=decrease of absolute pressure).
Set point calibration: factory calibrated and sealed, not field adjustable
Set point calibration limits (relative pressure): standard calibration minus 50mbar, other values are achievable from minus 20 to minus 200 mbar
Electrical connection: printed circuit terminal, dia 1.2 mm, 15 mm spacing
Maximum pressure: 2 bars (29 PSI)
Maximum vacuum: minus 500 mbar (relative pressure)
Ambient temperature limits: 0 to 85°C

Available pressure inlet fittings ①



References (with calibration at minus 50 mbar and brass fitting):

Pressure inlet	Silver contact	Gold plated contact
1/8" NPT	ZF2X2RL105000000	ZF2X2RLG050000000
1/8" BSPT	ZF2X2PL105000000	ZF2X2PLG050000000
1/8" BSPP	ZF2X2LL105000000	ZF2X2LLG050000000
1/4" NPT	ZF2X2CL105000000	ZF2X2CLG050000000
1/4" BSPT	ZF2X2SL105000000	ZF2X2SLG050000000
1/4" BSPP	ZF2X22L105000000	ZF2X22LG050000000
Smooth spout dia 4 mm	ZF2X23L105000000	ZF2X23LG050000000
Spout dia 6 mm	ZF2X27L105000000	ZF2X27LG050000000
Fluted spout dia 6 mm	ZF2X2JL105000000	ZF2X2JLG050000000
Barbed spout dia 10 mm	ZF2X29L105000000	ZF2X29LG050000000

Other set point values: replace 050 in the product reference by the requested value in mbar

